



BIG ONE

BIG ONE LINE

Big One is a unique polypropylene housing for professional applications where high performances and reliable products are needed. Designed to treat high quantity of water, it's a two-pieces compact container, that can fit 23" and 40" filtering elements. The housing is made with 3" female In-Out threading without brass inserts, and it's equipped with plastic drain plug and plastic relief valve. Big One is provided with a galvanized iron clamp that enable to open and close (easily and quickly) the housing during maintenance operations. The housing is individually packed in carton box. None brass connection will be perfect for seawater filtration connections could be delivered by Flanges.

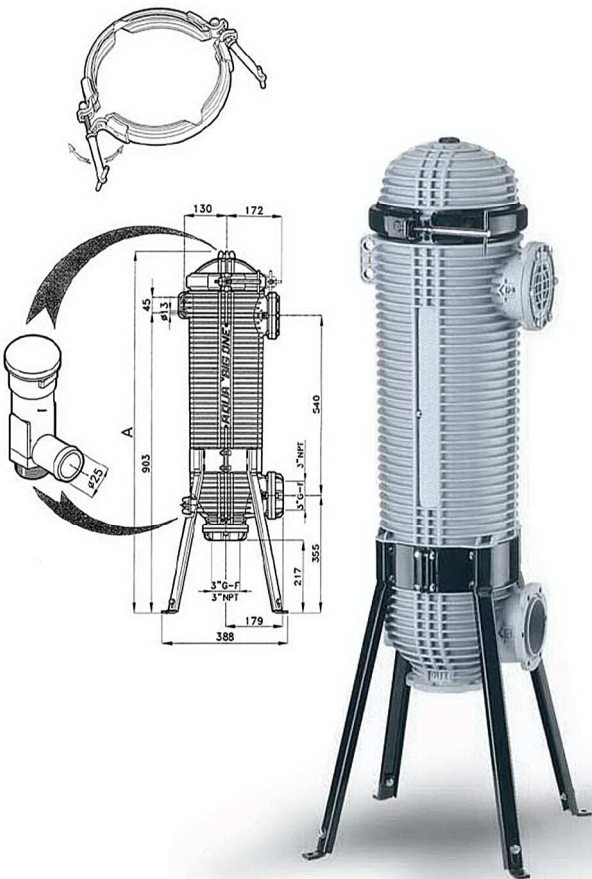
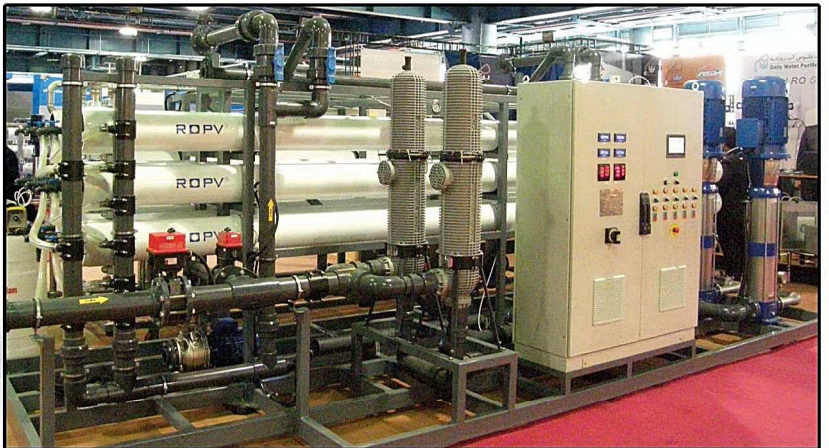
TECHNICAL FEATURES

Length range:	23" - 40"	طول
Raw material body:	Polypropylene	جنس
Clamp and support:	Galvanized iron	بست و ساپورت
Gasket:	NBR 70 Sh (viton on request)	واشر
In-Out connections:	3" F BSP threaded, or upon request DN80 flanged	اتصالات
Max. working pressure:	6 bar	حداکثر فشار
Burst pressure:	20 bar	فشار انفجار
Max. working temperature:	40° C	حداکثر دما
Capacity at 2 bar:	15 m3/h - 30 m3/h at 5 micron	ظرفیت

مشخصات فنی

CODE	MOD	HEIGHT	INLET/OUTLET c	DIMENSION a x b (mm)	QUANTITY box	Kg	VOLUME package
A1150050	BIG ONE 23"	23"	3"	1090x388	1	19,0	43x43x110
A1150060	BIG ONE 40"	40"	3"	1500x388	1	22,5	43x43x154

EXAMPLE OF INSTALLATION





PROFESSIONAL FILTRATION BIG ONE SERIES

Before meeting the market, all components must pass through several and strict controls. Every single component is properly controlled in the labs of our Research Dept. and submitted to long operating cycles, seal tests in critical situations and endurance tests in all kind of function.

How many other real guarantees a product can give you?

Total quality is not achievable without investments on technology. We are proud of vanguard equipment and of our staff of skilled operators whose main task is keep strong the commitment and the will of continuous improving.

Skilled technicians manage our last generation robotized equipment.

FA BIG ONE

TECHNICAL FEATURES

TECHNICAL FEATURES	FA BIG ONE	مشخصات فنی
Raw materials	100% POLYPROPYLENE	جنس فیلتر
Core	100% POLYPROPYLENE	جنس هسته
O.Ring-Gasket	NBR 70 Sh,	جنس واشر
Length	23", 40"	طول
Inner diameter	76 mm	قطر داخلی
Outer diameter	147,5 mm	قطر خارجی
Micron rating	1 - 5 - 20 - 50 micron	مقدار فیلتراسیون
Efficiency	80%	راندمان
Max working pressure	6 bar	حداکثر فشار
Max differential pressure	0,8 bar	حداکثر اختلاف فشار
Max working temperature	80°C	حداکثر دما

WOUND PP CARTRIDGES SERIES FA BIG ONE

CODE	MICRON	LENGTH	QUANTITY box	Kg box	VOLUME package
A4088010	1	23"	1	2,20	0,021
A4088020	5	23"	1	2,20	0,021
A4088030	20	23"	1	2,20	0,021
A4088040	50	23"	1	2,20	0,021
A4088050	1	40"	1	3,60	0,033
A4088060	5	40"	1	3,60	0,033
A4088070	20	40"	1	3,60	0,033
A4088080	50	40"	1	3,60	0,033

ACCESSORIES

VALVE	
PA010180	PLUG 3/4" BIG ONE
AA010070	SAFETY VALVE BIG ONE 3/4"
FLANGE	
S1150010	UNTHREADED FLANGE 3"F BIG ONE
S1150020	CLOSED FLANGE 3" BIG ONE
CFFOPVCFL80	FLANGE DN80 PVC BIG ONE
S1150010F	THREADED FLANGE 3"F BSP BIG ONE

Flow Rate (lt/h)			
Micron	Model	23"	40"
1	FA BIG ONE	9000	18000
5	FA BIG ONE	16,000	32000
20	FA BIG ONE	22,000	44000
50	FA BIG ONE	27,000	54000

موارد کاربرد و مزایای استفاده از Big One در استخرها:

- استفاده از Big One به دلیل فضای بسیار کم به جای فیلتر شنی .
- حذف ذرات معلق تا ۵ میکرون و نهایتاً حذف ذرات ریزدانه ها که در حوضچه های استخر ته نشین می شود .
- تعویض آسان کاتریج های Big One که نیاز به اپراتور سرویس و نگهداری ندارد.
- به علت اینکه تمام مواد اولیه این هوزینگ ها ، پلی پروپیلن و غیر فلزی می باشد ، لذا ایده آل جهت آب شور و حتی آب دریا و در مقابل رطوبت مداوم بوده و مادام العمر از زنگ زدگی و خوردگی در امان می باشد .
- نصب فلنج های ۳ اینچ و گیج های فشارسنج و محل تخلیه ی ذرات ته نشین شده که در هوزینگ ها تعبیه شده است از جمله موارد بسیار مهم در نگهداری این محصول می باشد.
- به دلیل افزایش هزینه های بهره برداری در استخر های عمومی و خصوصی ، امکان بازیافت این محصول نیز فراهم گردیده است کاتریج های Big One که بخش عمده این محصول از قطعات پلاستیکی تولید شده است ، پس از مصرف (شستشوی چندین باره) قابلیت برگشت به خط تولید و تابش مجدد فیلتر را دارد. که این امر باعث کاهش ۲۰ درصدی هزینه های تولید می گردد.



PROFESSIONAL FILTRATION BIG ONE SERIES

Before meeting the market, all components must pass through several and strict controls. Every single component is properly controlled in the labs of our Research Dept. and submitted to long operating cycles, seal tests in critical situations and endurance tests in all kind of function.

How many other real guarantees a product can give you?

Total quality is not achievable without investments on technology. We are proud of vanguard equipment and of our staff of skilled operators whose main task is keep strong the commitment and the will of continuous improving.

Skilled technicians manage our last generation robotized equipment.

FA BIG ONE

TECHNICAL FEATURES	FA BIG ONE	مشخصات فنی
Raw materials	100% POLYPROPYLENE	جنس فیلتر
Core	100% POLYPROPYLENE	جنس هسته
O Ring-Gasket	NBR 70 Sh,	جنس واشر
Length	23", 40"	طول
Inner diameter	76 mm	قطر داخلی
Outer diameter	147,5 mm	قطر خارجی
Micron rating	1 - 5 - 20 - 50 micron	مقدار فیلتراسیون
Efficiency	80%	راندمان
Max working pressure	6 bar	حداکثر فشار
Max differential pressure	0,8 bar	حداکثر اختلاف فشار
Max working temperature	80° C	حداکثر دما

WOUND PP CARTRIDGES SERIES FA BIG ONE

CODE	MICRON	LENGTH	QUANTITY box	Kg box	VOLUME packages
A4088010	1	23"	1	2,20	0,021
A4088020	5	23"	1	2,20	0,021
A4088030	20	23"	1	2,20	0,021
A4088040	50	23"	1	2,20	0,021
A4088050	1	40"	1	3,60	0,033
A4088060	5	40"	1	3,60	0,033
A4088070	20	40"	1	3,60	0,033
A4088080	50	40"	1	3,60	0,033

ACCESSORIES

VALVE	
PA010180	PLUG 3/4" BIG ONE
AA010070	SAFETY VALVE BIG ONE 3/4"
FLANGE	
S1150010	UNTREADED FLANGE 3" F BIG ONE
S1150020	CLOSED FLANGE 3" BIG ONE
CFEOPVCF180	FLANGE DN80 PVC BIG ONE
S1150010F	THREADED FLANGE 3" F BSP BIG ONE

Flow Rate (l/h)	Micron	Model	23"	40"
1		FA BIG ONE	9000	18000
5		FA BIG ONE	16,000	32000
20		FA BIG ONE	22,000	44000
50		FA BIG ONE	27,000	54000

FILTRATION DIVISION
Big One Filter Series

BIG - ONE

Technical Data Sheet
Big One series

FON Melt Blown



FA Wound



BAG FILTER



RLA Washable Net



TECHNICAL CHARACTERISTICS

Model	FON Melt Blown	FA Wound	BAG FILTER	RLA Washable Net
Raw material:	100% PP	100% PP	100% PP	PA
Core:	100% PP	100% PP	100% PP	100% PP
End cap type:	AQ3	AQ3	AQ3	AQ3
O-ring:	B, V	B, V	B, V	B, V
Inner diameter:	76mm.	76mm.	76mm.	76mm.
Outer diameter:	147,5mm.	147,5mm.	147,5mm.	147,5mm.
Micron rating:	5	5	10	80
Efficiency:	95%	80%	75%	80%
Max. working pressure:	6 bar	6 bar	6 bar	6 bar
Max. differential pressure:	0,8 bar	0,8 bar	0,8 bar	0,8 bar
Max. working temp.	80°C	80°C	80°C	80°C

FLOW RATES (lt. / hour):

MICRON	FON Melt Blown		FA Wound		BAG FILTER		RLA Washable Net	
	23"	40"	23"	40"	23"	40"	23"	40"
5	15000	30000	16000	32000	-	-	-	-
10	-	-	-	-	18000	36000	-	-
80	-	-	-	-	-	-	27000	54000